



# Zinc Specialty Anodes

# Zinc Anodes

## Zinc Caps

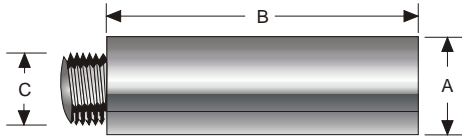
Zinc Caps are installed on buried or submerged valve and flange bolts where corrosion is contemn. These cast caps are made to install directly to the bolt to assist in corrosion protection



Thread Size	EPS part No.
7/16"	EPS 10 ZC
1/2"	EPS 15 ZC
5/8"	EPS 20 ZC
3/4"	EPS 25 ZC
7/8"	EPS 30 ZC
1"	EPS 35 ZC
1-1/8*	EPS 40 ZC
2"	EPS 45 ZC

## Zinc Series

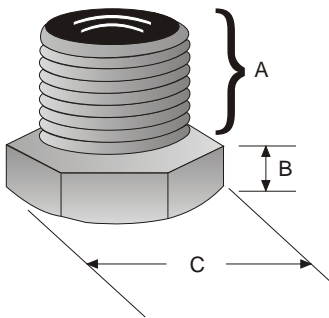
"Pencil" anodes for small surface area applications. Custom sizes available.



Model	A	B	Description
EPS 375 ZP	1" - 6"	375	Specify thread size desired
EPS 500 ZP	1" - 6"	500	Specify thread size desired
EPS 625 ZP	1" - 6"	625	Specify thread size desired
EPS 750 ZP	1" - 6"	750	Specify thread size desired
EPS 1050 ZP	1" - 6"	1050	Specify thread size desired

## Brass Retaining Plugs

Used with ZRN pencil anodes.



Model	A	B	C	*Internal Thread
EPS 250 BRP	1/4"	.3125*	.625*	3/8-16* NC
EPS 375 BRP	3/8"	.3125*	.75*	3/8-16* NC
EPS 500 BRP	1/2"	.375*	.1*	3/8-16* NC
EPS 750 BRP	3/4"	.375*	1.25*	5/8-11* NC
EPS 1000 BRP	1"	.500*	1.50*	3/4* NC



Corrosion Specialist

**ELECTRO PROTECTION SERVICES INDIA (P) LTD**  
(AN ISO 9001:2008 CERTIFIED COMPANY)

Plot No:6, Cauvery Street, Guruswamy Nagar Extn., Sembakkam, Chennai 600 073.  
Phone : 91 44 22780677 / 22781745, Fax : 91 44 22780688  
Email: sales@epsipl.com, Website : www.epsipl.com