

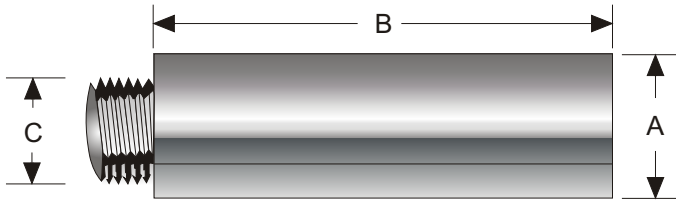


Pencil Anodes

Zinc Anodes

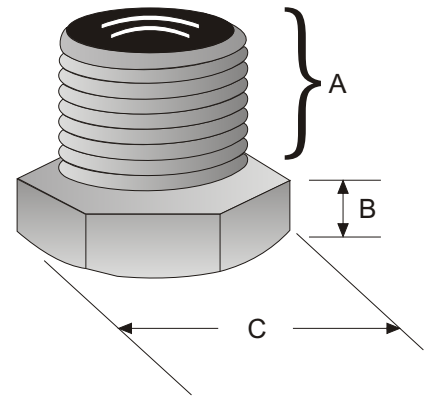
Custom Size Available

Type ZRN



SOLID ZINC PENCIL ANODES*			
Pencil Dimensions			
Anode Type	A	B	C
	(mm)		
EPS 10 ZP	10	Available in 25mm-152mm	Specify Tread Size Desired
EPS 13 ZP	13		
EPS 16 ZP	16		
EPS 19 ZP	19		
EPS 25 ZP	25		

PENCIL ANODE BRASS RETAINING PLUGS				
Pencil Dimensions				
Anode Type	A	B	C	* Internal Thread
	(mm)	(mm)	(mm)	
EPS 06 BP	6	8	16	3/8-16 NC
EPS 10 BP	10	8	19	3/8-16 NC
EPS 13 BP	13	10	25	3/8-16 NC
EPS 19 BP	19	10	32	5/8-16 NC
EPS 25 BP	25	13	38	3/4-10 NC
EPS 32 BP	32	-	-	3/4" NC
EPS 32 BP	32	-	-	1" NC
EPS 38 BP	38	-	-	3/4" NC



ZINC RODS*		
Anode Type	Net Weight each	Size (D x L)
	Kg	(mm)
EPS 09 ZR	0.9	10 x 1829
EPS 18 ZR	1.8	13 x 601
EPS 27 ZR	2.7	16 x 1829
EPS 14 ZR	1.4	19 x 914
EPS 23 ZR	2.3	25 x 914
EPS 36 ZR	3.6	32 x 914
EPS 57 ZR	5.7	38 x 914
EPS 100 ZR	10.0	51 x 914
EPS 154 ZR	15.4	64 x 914

* Metal Composition meets the latest MIL-A-18001



Corrosion Specialist

ELECTRO PROTECTION SERVICES INDIA (P) LTD
(AN ISO 9001:2008 CERTIFIED COMPANY)

Plot No:6, Cauvery Street, Guruswamy Nagar Extn., Sembakkam, Chennai 600 073.
Phone : 91 44 22780677 / 22781745, Fax : 91 44 22780688
Email: sales@epsipl.com, Website : www.epsipl.com