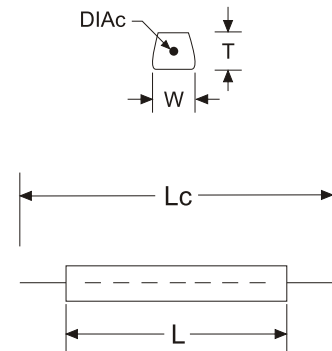




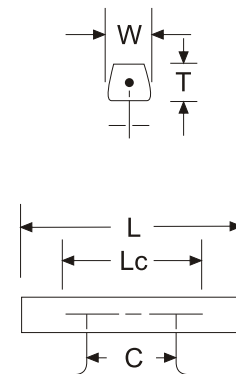
Ballast Tank Anodes

Aluminium Anodes

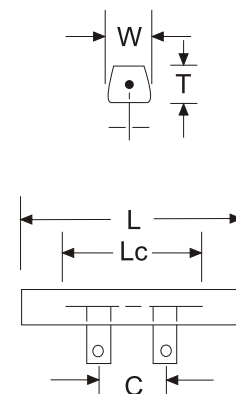
Anode Type	Alloy Wt.	Gross Wt.	L	W	T	Lc	DIAC
	Kg	Kg	(mm)	(mm)	(mm)	(mm)	(mm)
EPS 62 AT	5.0	6.2	1000	44	44	1300	12
EPS 112 AT	10.0	11.2	1000	62	62	1300	12
EPS 170 AT	15.0	17.0	1000	76	76	1300	16
EPS 220 AT	20.0	22.0	1000	87	87	1300	16
EPS 282 AT	25.0	28.2	1000	98	98	1300	20
EPS 332 AT	30.0	33.2	1000	107	107	1300	20



Anode Type	Alloy Wt.	Gross Wt.	L	W	T	Lc	C
	Kg	Kg	(mm)	(mm)	(mm)	(mm)	(mm)
EPS 58 ATW	5.0	5.8	1000	44	44	700	300
EPS 108 ATW	10.0	10.8	1000	62	62	700	300
EPS 166 ATW	15.0	16.6	1000	76	76	700	300
EPS 216 ATW	20.0	21.6	1000	87	87	700	300
EPS 275 ATW	25.0	27.5	1000	98	98	700	300
EPS 325 ATW	30.0	32.5	1000	107	107	700	300



Anode Type	Alloy Wt.	L	W	T	Lc	C
	Kg	(mm)	(mm)	(mm)	(mm)	(mm)
EPS 58 ATB	5.0	1000	44	44	700	300
EPS 108 ATB	10.0	1000	62	62	700	300
EPS 166 ATB	15.0	1000	76	76	700	300
EPS 216 ATB	20.0	1000	87	87	700	300
EPS 275 ATB	25.0	1000	98	98	700	300
EPS 325 ATB	30.0	1000	107	107	700	300



Corrosion Specialist

ELECTRO PROTECTION SERVICES INDIA (P) LTD
(AN ISO 9001:2008 CERTIFIED COMPANY)

Plot No:6, Cauvery Street, Guruswamy Nagar Extn., Sembakkam, Chennai 600 073.
Phone : 91 44 22780677 / 22781745, Fax : 91 44 22780688
Email: sales@epsipl.com, Website : www.epsipl.com